

VULCAN

CATALOG OF REPLACEMENT PARTS

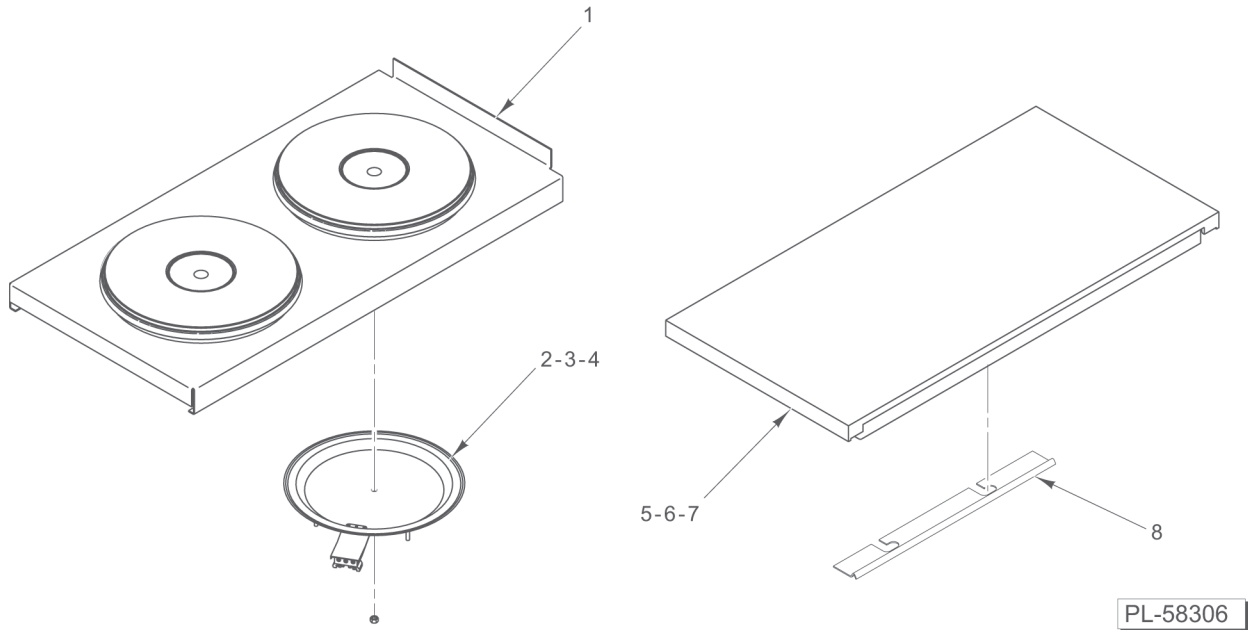
ELECTRIC EXPANDO RANGES

MODEL

<i>E12HT</i>	<i>ML-136543</i>
<i>E12FP</i>	<i>ML-136544</i>

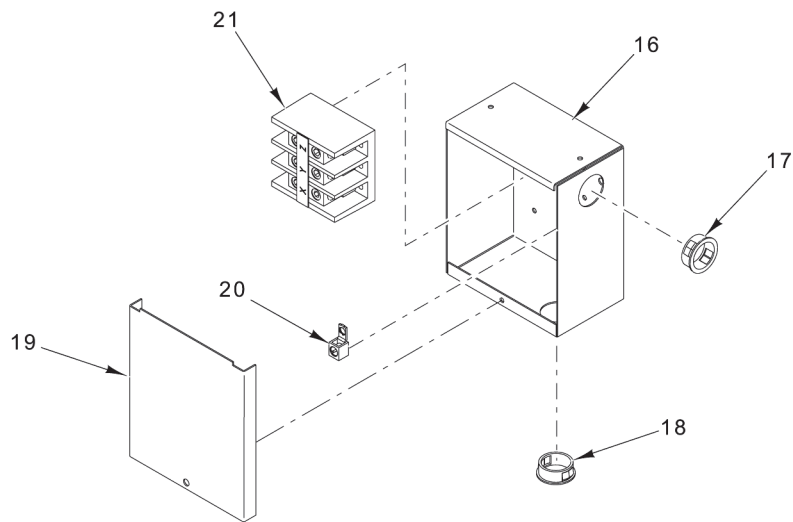
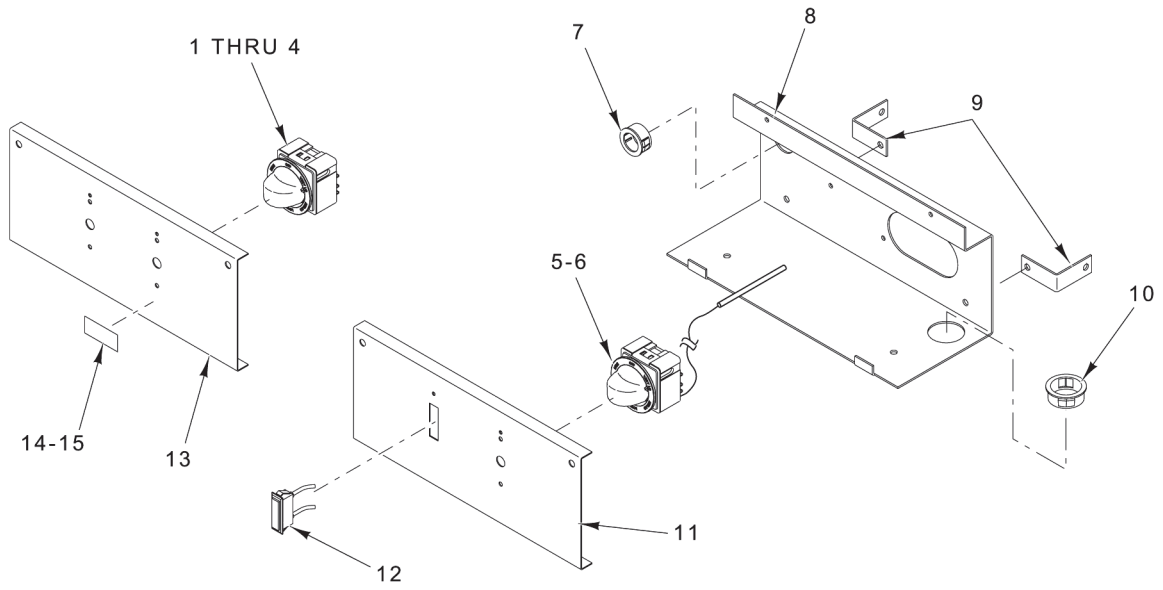


For additional information on Vulcan-Hart Company or to locate an authorized parts and service provider in your area, visit our website at www.vulcanhart.com



PLATES

ILLUS.	PART NO.	NAME OF PART	AMT.
PL-58306			
1	00-421191-000G1	Plate – Aeration Assy. (French Plate)	1
2	00-421240-00001	Plate – French E.G.O. (208 V.)	2
3	00-421240-00002	Plate – French E.G.O. (240 V.)	2
4	00-421240-00003	Plate – French E.G.O. (480 V.)	2
5	00-421320-00001	Top – Hot (208 V.)	1
6	00-421320-00002	Top – Hot (240 V.)	1
7	00-421320-00003	Top – Hot (480 V.)	1
8	00-421243-00002	Bracket – Top Holddown	2
	00-497042-000G3	French Plate Power Harness	1
	00-421152-000G1	French Plate Harness (36") (208/240 V.)	1
	00-421152-000G2	French Plate Harness (36") (480 V.)	1

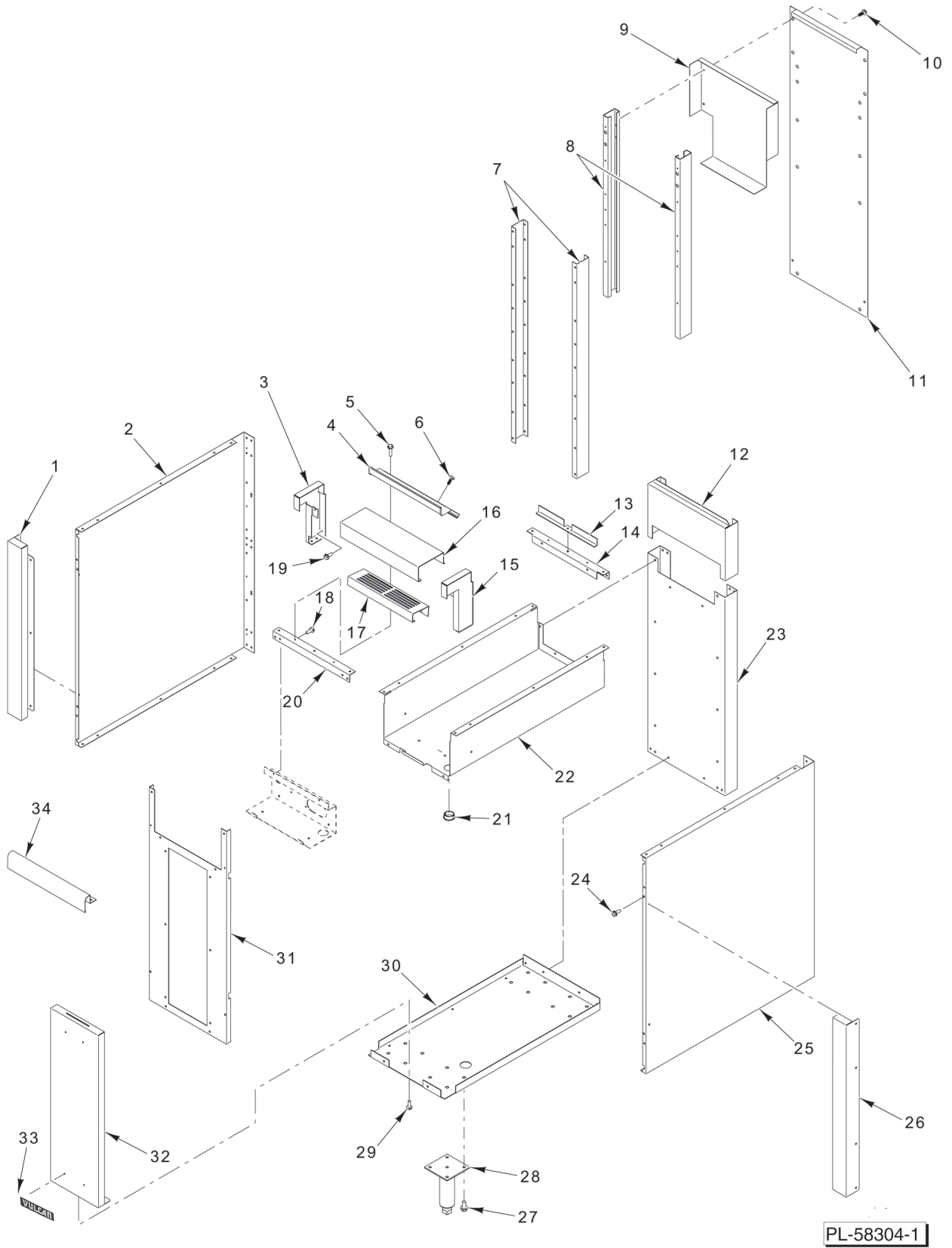


PL-58305

CONTROL PANEL

CONTROL PANEL

ILLUS. PL-58305	PART NO.	NAME OF PART	AMT.
1	00-412251-00001	Knob – Switch (240 V.) (ML-136544)	2
2	00-412251-00003	Knob – Switch (480 V.) (ML-136544)	2
3	00-411503-00004	Switch – Infinite (240 V.) (ML-136544)	2
4	00-355798-00001	Switch – Range 4 Position (480 V.) (ML-136544)	2
5	00-418061-00003	Knob – Thermostat (ML-136543)	1
6	00-411506-00014	Thermostat (ML-136543)	1
7	FE-023-56	Bushing – Electric Snap	1
8	00-497707-00001	Housing – Manifold	1
9	00-421692-00001	Bracket – Manifold Housing Support	2
10	FE-017-16	Bushing – Electric Snap	1
11	00-497495-00012	Cover – Manifold	1
12	00-411496-000E8	Light Indicator (ML-136543)	1
13	00-497496-00012	Cover – Manifold Stiffner	1
14	00-409642-00002	Label – Rear (ML-136544)	1
15	00-409642-00001	Label – Front (ML-136544)	1
16	00-499075-00001	Box – Main Power	1
17	FE-017-16	Bushing – Electric Snap	1
18	FE-017-16	Bushing – Electric Snap	1
19	00-499076-00001	Lid – Power Supply	1
20	00-417856-00001	Lug – Ground	1
21	00-410472-00008	Block – Terminal (3 Pole)	1
	00-417876-00001	Resistor (480 V.) (ML-136543)	1



BODY

BODY

ILLUS.	PART NO.	NAME OF PART	AMT.
PL-58304-1			
1	00-497719-00001	Trim – Edge	1
2	00-417212-00003	Side – Body	1
3	00-424925-00001	Cap – End Square Left	1
4	00-497713-000G1	Shield – Heat Assy.	1
5	SD-036-86	Self-Tapping Screw 10-24 x ³ / ₄ Hex Hd. Type TT	2
6	SD-032-07	Self-Tapping Screw 10-24 x ¹ / ₂ Hex Hd. Type TT	1
7	00-497714-00001	Channel – Bayonet	2
8	00-417221-00001	Channel – Bayonet	2
9	00-497715-00001	Shield – Rear Heat	1
10	SD-032-07	Self-Tapping Screw 10-24 x ¹ / ₂ Hex Hd. Type TT	1
11	00-499026-00001	SS Finishing Back (See Note)	1
12	00-497716-00001	Back Splash	1
13	00-421190-00001	Support – Hot Top	1
14	00-497706-00001	Channel – Front/Rear	1
15	00-424925-00002	Cap – End Square Right	1
16	00-497708-000G1	Top – Front	1
17	00-497720-00001	Top Closure – Front	1
18	SD-032-07	Self-Tapping Screw 10-24 x ¹ / ₂ Hex Hd. Type TT	1
19	SD-032-07	Self-Tapping Screw 10-24 x ¹ / ₂ Hex Hd. Type TT	1
20	00-497706-00001	Channel – Front/Rear	1
21	FE-017-16	Bushing – Electric Snap	1
22	00-497705-00001	Box – Burner	1
23	00-497704-00001	Back – Body	1
24	SD-032-07	Self-Tapping Screw 10-24 x ¹ / ₂ Hex Hd. Type TT	1
25	00-417212-00003	Side – Body	1
26	00-497719-00001	Trim – Edge	1
27	SD-037-70	Self-Tapping Screw ¹ / ₄ -20 x ¹ / ₂ Hex Hd. Type TT	16
28	00-413112-00012	Leg (6 In.)	4
29	SD-032-07	Self-Tapping Screw 10-24 x ¹ / ₂ Hex Hd. Type TT	1
30	00-497583-00001	Base	1
31	00-497703-00001	Frame – Front	1
32	00-497734-00001	Trim – Panel	1
33	00-417700-00003	Nameplate – Vulcan	1
34	00-497718-00001	Handle – Trim	1

NOTE: Stainless Steel finishing back is only available as a repair part for units that were manufactured with this feature at the factory.

REPLACEMENT PARTS LIST

PART NO.	NAME OF PART	AMT.
00-411503-00004	Infinite Switch	4
00-412251-00001	Switch Knob	4
00-355798-00001	Range Switch (4-position) (480 V.)	2
00-412251-00003	Range Switch Knob (4-position)	2
00-421240-00001	Element, French Plate (208 V.)	2
00-421240-00002	Element, French Plate (240 V.)	2
00-421240-00003	Element, French Plate (480 V.)	2
00-411506-00014	Thermostat Hot Top	1
00-418061-00003	Thermostat Knob Hot Top	2
00-421320-00001	Hot Top Assy. (208 V.)	1
00-421320-00002	Hot Top Assy. (240 V.)	1
00-421320-00003	Hot Top Assy. (480 V.)	1
00-410472-00008	Terminal Block (3-pole)	1

NOTES